

EL CAPITAN LED

DATE: _____ PROJECT: _____ TYPE: _____

CATALOG NUMBER LOGIC:



*Requires magnetic low voltage dimmer.

**Please see Adjust-e-Lume photometry to determine desired intensity.

Arrangement	LLF	Description
SINGLE	0.900	LED-e66-WFL-12-ITL85923
SINGLE	0.900	99862_BEGA_IJS
SINGLE	0.900	US_Light_Measurement_XPERI_HI
SINGLE	0.900	LP Xperl LED HI ASYT3 N UP 30 - MOD HSS
SINGLE	0.900	77176_BEGA_IJS
GROUP	0.900	

CATALOG NUMBER LOGIC

Example: B - EC - LED - e66 - SP - A6 - MAC - 12 - 11 - B

MATERIAL

(Blank) - Aluminum B - Brass S - Stainless Steel

SERIES

EC - El Capitan

SOURCE

LED - with Integral Dimming Driver (25W min. load when dimmed)*

LED TYPE

e64 - 7W LED/2700K e66 - 7W LED/4000K

e65 - 7W LED/3000K e74 - 7W LED/Amber

OPTICS

NSP - Narrow Spot (13°) MFL - Medium Flood (23°)

Spot (16°) WFL - Wide Flood (31°)

ADJUST-E-LUME OUTPUT INTENSITY**

A9 (Standard), A8, A7, A6, A5, A4, A3, A2, A1

FINISH (See page 2 for full-color swatches)

Standard Finishes (BZP, BZW, BLP, BLW, WHP, WHW, SAP, VER)

Premium Finish (ABP, AMG, AQW, BCM, BGE, BPP, CAP, CMG, CRI, CRM, HUG, MDS, NBP, OCP, RMG, SDS, SMG, TXF, WCP, WIR)

Also available in RAL Finishes

Brass Finishes (MAC, POL, MIT)

Stainless Steel Finishes (MAC, POL)

LENS TYPE

12 - Soft Focus 13 - Rectilinear

SHIELDING

11 - Honeycomb Baffle

CAP STYLE

A - 45°

B - 90°

C - Flush

D - 45° Less Weephole (Interior use only)

E - 90° Less Weephole (Interior use only)

F - 90° with Flush Lens

Type BL

BEGA LED system bollard - luminaire head with shielded light - 360°

Enclosure: Housing constructed of die-cast aluminum. Die-castings are marine grade, copper free ($\leq 0.3\%$ copper content) A360.0 aluminum alloy. Glass diffuser, inside white. Fully gasketed for weather tight operation using molded silicone gasket.

Installation: BEGA LED system bollards are designed for easy attachment to system bollard tubes using an interlocking stainless steel mechanism and stainless steel set screw threaded into stainless steel insert. An accompanying bollard tube must be selected for proper installation, see below chart for compatible tube options.

Electrical: 16.5W LED luminaire, 19.8 total system watts, -30°C start temperature. Integral 120V through 277V electronic LED driver, 0-10V dimming. LED module(s) are available from factory for easy replacement. Standard LED color temperature is 3000K with a >80 CRI. Available in 4000K (>80 CRI); add suffix K4 to order.

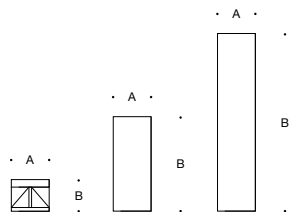
Note: LEDs supplied with luminaire. Due to the dynamic nature of LED technology, LED luminaire data on this sheet is subject to change at the discretion of BEGA-US. For the most current technical data, please refer to www.bega-us.com.

Finish: All BEGA standard finishes are polyester powder coat with minimum 3 mil thickness. Available in four standard BEGA colors: Black (BLK); White (WHT); Bronze (BRZ); Silver (SLV). To specify, add appropriate suffix to catalog number. Custom colors supplied on special order.

CSA certified to U.S. and Canadian standards, suitable for wet locations. Protection class IP65

Weight: 8.4 lbs

Luminaire Lumens: 1286



Bollard heads · shielded · 360°

Lamp	A	B
99 862 16.5W LED	7½	5½

Bollard tubes

Integrated components	Door	A	B	Anch. unit
99 622 —	✓	7½	32	79 818
99 644 1 LED floodlight 19.3W	✓	7½	32	79 818
99 626 GFCI outlet	✓	7½	32	79 818
99 658 Passive infrared motion sensor	✓	7½	32	79 818
99 635 Emergency lighting battery 10W	✓	7½	32	79 818
99 615 —		7½	14½	79 817

Type:
 BEGA Product:
 Project:
 Voltage:
 Color:
 Options:
 Modified:



Type PL

LP Xperi

Project name:

Project type:

Notes:



Design

Christian Flindt

Product description

Low profile, offset mounted post top with open, geometric design. Direct view of custom LED array for increased lumen intensity. LEDs are recessed into the luminaire and surrounded by an aluminum frame of thin vertical ribs and open slots. The frame is designed to be self-illuminating and create visible accent to the surroundings. Available in one color, in high or low intensity, in Type III and Type V distributions, and as Dark Sky compliant (BUG rating U=0).



Variant options

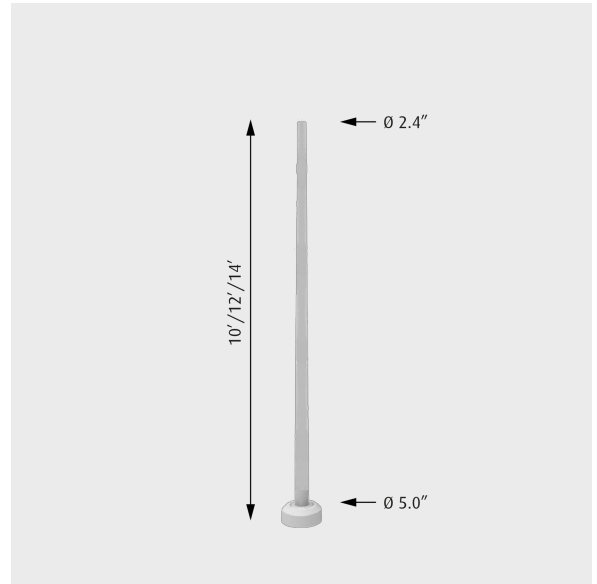
Mounting	Light source	Lumen	Voltage frequency	Distribution/Trim
<p>Ø60 pole</p> <p>Ø76 pole</p>	<p>66W LED/3000K</p> <p>81W LED/3000K</p> <p>81W LED/4000K</p>	<p>7130</p> <p>7168</p> <p>7197</p> <p>7377</p> <p>7447</p> <p>7458</p> <p>7716</p>	<p>120-277V</p>	<p>ASYT3</p> <p>ASYT3-NUP</p> <p>SQR5</p> <p>SQR5-NUP</p>

Pole Taper Round

Project name:

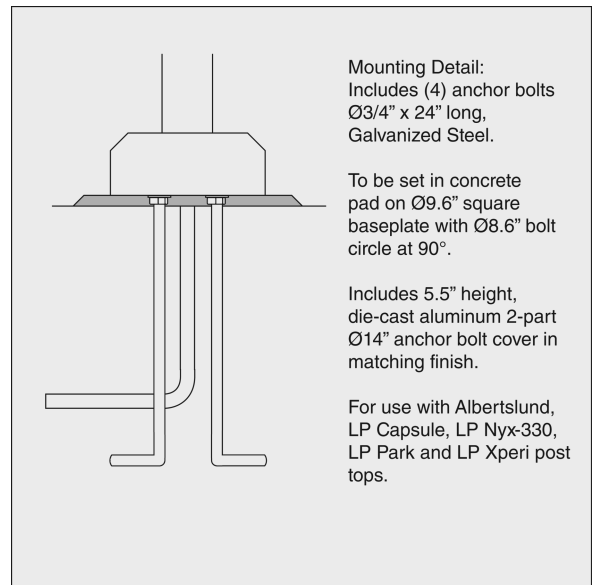
Project type:

Notes:



Product description

Aluminum pole with a 5 inch bottom diameter, tapered to 2.4 inch top diameter. Supports Albertslund Post tops, Homann Park, LP Capsule, LP Park, LP Nyx-330, and LP Xperi. Handhole located 18 inches above base with removable, finished cover secured with 2 stainless steel Philips drive screws.



Variant options

Dimension

- 10 FT
- 12 FT
- 14 FT
- 16 FT
- 18'
- 20'

Color

- Black
- Br alu
- Corten color
- Graphite grey
- Natural paint aluminum
- Silver grey

Voltage frequency

120-277V/60HZ

Lighting control

-

Gfi at 28 in

Gfi at 30" us

Type PT

Pole top luminaires with asymmetric flat beam light distribution

Housing/fitter: Die-cast and extruded aluminum construction. The fixture slip fits a 3" O.D. pole top or tenon and is secured by six (6) socket head stainless steel set screws threaded into stainless steel inserts. Die castings are marine grade, copper free ($\leq 0.3\%$ copper content) A360.0 aluminum alloy.

Enclosure: Clear acrylic diffuser and reflector made of pure anodized aluminum held in place by die-cast aluminum frame and stainless steel rods. Fully gasketed for weather tight operation using a molded silicone rubber gasket.

Electrical: 31.0W LED luminaire, 36 total system watts, -30°C start temperature. Integral 120V through 277V electronic LED driver, 0-10V dimming. LED module(s) are available from factory for easy replacement. Standard LED color temperature is 4000K with a >80 CRI. Available in 3000K (>80 CRI); add suffix K3 to order.

Note: LEDs supplied with luminaire. Due to the dynamic nature of LED technology, LED luminaire data on this sheet is subject to change at the discretion of BEGA-US. For the most current technical data, please refer to www.bega-us.com.

Finish: All BEGA standard finishes are polyester powder coat with minimum 3 mil thickness. Available in four standard BEGA colors: Black (BLK); White (WHT); Bronze (BRZ); Silver (SLV). To specify, add appropriate suffix to catalog number. Custom colors supplied on special order.

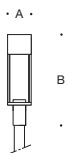
CSA certified to U.S. and Canadian standards, suitable for wet locations. Protection class IP65

Weight: 11.0 lbs.

EPA (Effective projection area): 1.1 sq. ft.

Luminaire Lumens: 3134

Type:
 BEGA Product:
 Project:
 Voltage:
 Color:
 Options:
 Modified:



Pole-top luminaires · Asymmetric flat beam			
Lamp	A	B	
77 176	31.0W LED	6$\frac{5}{8}$	25$\frac{3}{4}$

*recommended for use with 12' to 18' poles