

CPY Series

CPY250™ LED Canopy/Soffit Luminaire

TYPE BO

CPY250-A-DM-F-20W-UL-WH-40K

Product Description

The CPY250™ LED Canopy/Soffit Luminaire has an extremely thin profile constructed of rugged cast aluminum. It can be surface mounted easily from below the canopy deck. Direct imaging of the LEDs is eliminated with a highly efficient patterned flat drop glass lens.

Applications: Petroleum canopies, CNG fueling stations, low-medium bay general lighting, soffits

Performance Summary

Made in the U.S.A. of U.S. and imported parts

CRI: Minimum 70 CRI

CCT: 4000K (+/- 300K) 5700K (+/- 500K) Standard

Limited Warranty*: 10 years on luminaire/10 years on Colorfast DeltaGuard® finish

IP66 Rated (Direct Mount only)

*See <http://lighting.cree.com/warranty> for warranty terms

GC TO VERIFY THAT FIXTURES CAN BE MOUNTED PER PLAN AND ALL NECESSARY HARDWARE IS SPECIFIED FOR INSTALLATION PRIOR TO PURCHASING

Accessories

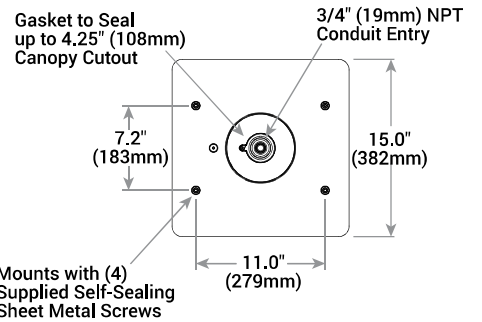
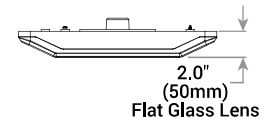
Field-Installed	
Direct Mount Luminaires	Direct Mount Junction Box/Stem Kit
Canopy Upgrade Kits	XA-BXCCJBOX – 6.0" (152mm) H x 3/4" (19mm) NPT Stem
XA-BXCCMW – for use with Jet-Philips	- Watertight
XA-BXCCNW – for use with ElSCO Franciscan	- Rated for feed through 8 (4 in, 4 out) #12 AWC conductors
XA-BXCCPW – for use with LSI Dakota or Masters	Direct Mount Beauty Plates
XA-BXCCQW – for use with Whiteway Riviera or Rig-A-Lite	XA-BXCCBPW – Plate Only
XA-BXCCRW – for use with ElSCO Merrit	XA-BXCCBPB12W – Plate w/ 12" (305mm) Backer
XA-BXCCSSW – for use with LSI Richmond or Whiteway Civic	XA-BXCCBPB16W – Plate w/ 16" (406mm) Backer

*Must specify color

DM Mount **GC TO SEE NOTES BELOW**



Flat Lens



Weight
12.5 lbs (5.7kg)

Ordering Information

Example: BXCC9047&

BXCC9047&						
Product	Version	Mounting	Optic	Input Power	Voltage	Color Options
CPY250	A	DM Direct	F Flat Lens	20W	UL Universal 120-277V	WH White



US: www.cree.com/lighting

T (800) 236-6800 F (262) 504-5415

Rev. Date: V1 12/21/2015

Canada: www.cree.com/canada



T (800) 473-1234 F (800) 890-7507

CPY250™ LED Canopy/Soffit Luminaire

Product Specifications

CONSTRUCTION & MATERIALS

- Slim, low profile design
- Easy mounting and servicing from below the deck
- Luminaire housing is constructed of rugged cast aluminum with integral heat sink specifically designed for LED
- Flat lens is 0.125" tempered Solite® glass
- Direct mount is suitable for use in single or double skin canopies with a minimum 4.0" (102mm) wide panels and a minimum 22 gauge, 0.030" (0.7mm) canopy thickness
- Direct mount luminaire mounts directly to the canopy deck with the drilling of a single 2" to 4" (51mm to 102mm) round hole, is secured in place with self-sealing screws that provides a weathertight seal and includes 3/4" (19mm) conduit entry for direct wire feed
- Exclusive white Colorfast DeltaGuard® finish features an E-Coat epoxy primer with an ultra-durable powder topcoat, providing excellent resistance to corrosion, ultraviolet degradation and abrasion.
- **Weight:** 12.5 lbs. (5.7kg)

ELECTRICAL SYSTEM

- **Input Voltage:** 120-277V, 50/60Hz, Class 1 drivers
- **Power Factor:** > 0.9 at full load
- **Total Harmonic Distortion:** < 20% at full load
- Integral 6kV surge suppression protection standard
- To address inrush current, slow blow fuse or type C/D breaker should be used
- **10V Source Current:** 0.15mA
- **Operating Temperature Range:** -40°C - +45°C (plywood), -40°C - +50°C (sheet metal/suspended)
WARNING: Exceeding maximum operating temperature may result in thermal foldback

REGULATORY & VOLUNTARY QUALIFICATIONS

- cULus Listed
- Suitable for wet locations when ordered with DM mount
- Enclosure rated IP66 per IEC 60529 when ordered with DM mount
- Consult factory for CE Certified products
- 6kV surge suppression protection tested in accordance with IEEE/ANSI C62.41.2
- Meets FCC Part 15 standards for conducted and radiated emissions
- Luminaire and finish endurance tested to withstand 5,000 hours of elevated ambient salt fog conditions as defined in ASTM Standard B 117
- Meets Buy American requirements within ARRA

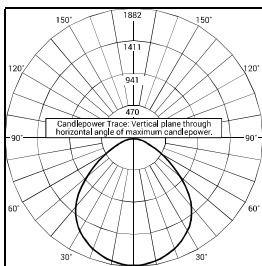
Electrical Data*							
System Watts 120-277V	System Watts 347-480V	Total Current					
		120V	208V	240V	277V	347V	480V
20	N/A	0.19	0.11	0.09	0.08	N/A	N/A

* Electrical data at 25°C (77°F)

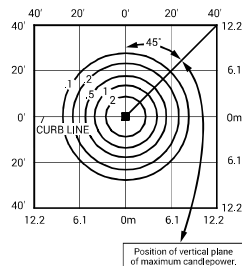
Recommended CPY Series Lumen Maintenance Factors (LMF) ¹					
Ambient	Initial LMF	25K hr Projected ² LMF	50K hr Projected ² LMF	75K hr Projected ² LMF	100K hr Projected ² LMF
5°C (41°F)	1.05	1.00	0.93	0.87	0.81
10°C (50°F)	1.04	0.99	0.92	0.86	0.80
15°C (59°F)	1.02	0.97	0.91	0.84	0.79
20°C (68°F)	1.01	0.96	0.90	0.84	0.78
25°C (77°F)	1.00	0.95	0.89	0.83	0.77
30°C (86°F)	0.99	0.94	0.88	0.82	0.76

¹ Lumen maintenance values at 25°C (77°F) are calculated per TM-21 based on LM-80 data and in-situ luminaire testing on sheet metal
² In accordance with IESNA TM-21-11, Projected Values represent interpolated value based on time durations that are within six times (6X) the IESNA LM-80-08 total test duration (in hours) for the device under testing (DUT) i.e. the packaged LED chip

FLAT LENS



RESTL Test Report #: PL03374-001
CPY250-A-**-F-C-UL-40K
Initial Delivered Lumens: 4,485



BXCC9047&
Mounting Height: 15' (4.6m)
Initial Delivered Lumens: 2,000
Initial FC at grade

Flat Lens Distribution	
4000K	
Initial Delivered Lumens*	BUG Ratings** Per TM-15-11
2,000	B1 U0 G1

* Initial delivered lumens at 25°C (77°F)

** For more information on the IES BUG (Backlight-Uplight-Glare) Rating visit:
www.ies.org/PDF/Erratas/TM-15-11BugRatingsAddendum.pdf